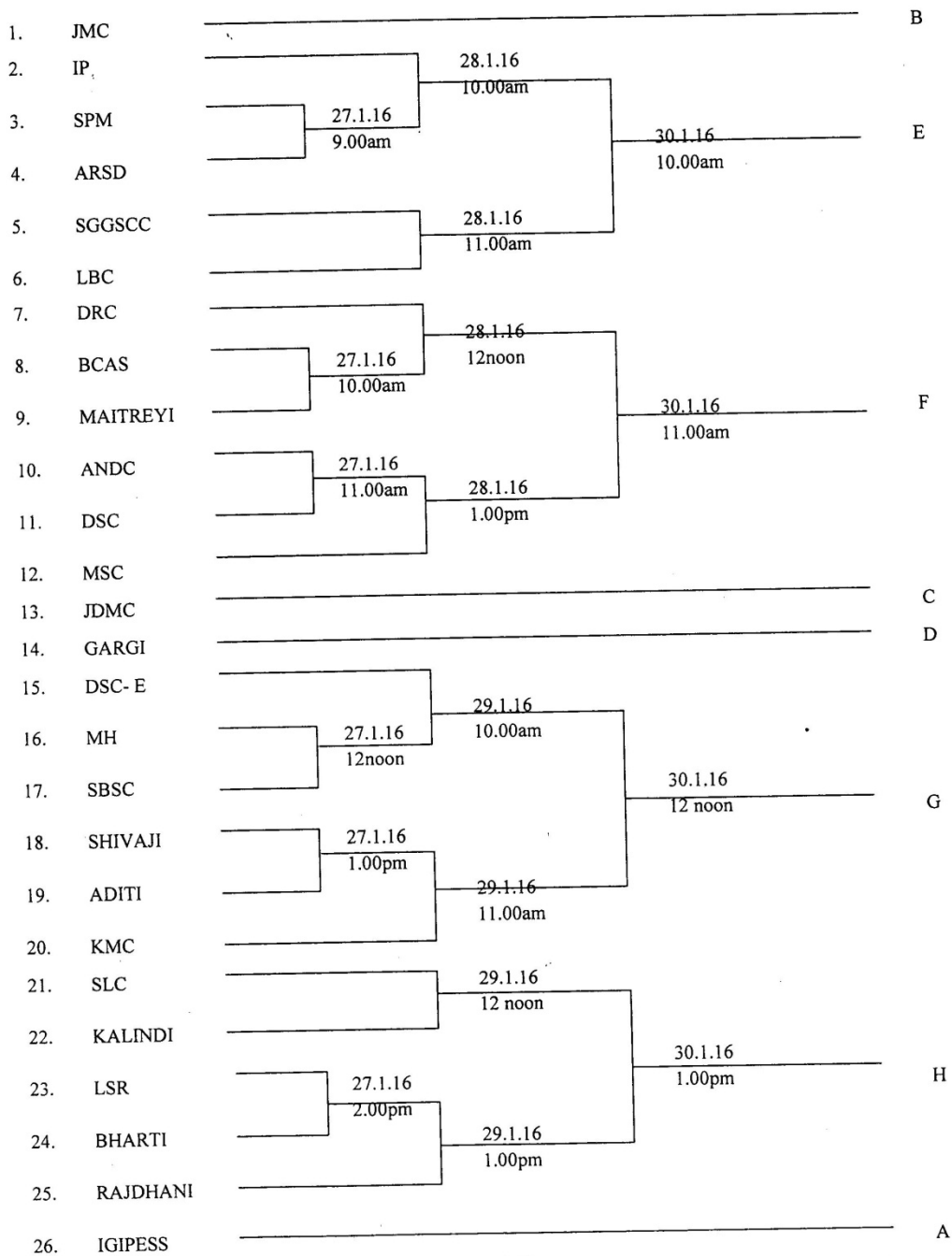


Delhi University Sports Council

University Pologround, University of Delhi

DUSC / IC (W) / 2015-16/660
Dated: 22.12.15

Fixture Inter College Volleyball (W) Tournament 2015-16



PTO

League Matches

Group-I

Timing	<u>1.2.16</u>	<u>2.2.16</u>	<u>3.2.16</u>
9.00am	B V/s E	B V/s F	E V/s F
10.30am	C V/s F	C V/s E	B V/s C

Group-II

12.00noon	A V/s H	A V/s G	G V/s H
1.30pm	D V/s G	D V/s H	A V/s D

5.2.16

10.00am	Winner of Group-I	V/s	Runners up of Group-II
11.30am	Winner of Group-II	V/s	Runners up of Group-I

6.2.16

10.00am	Third Place Match
11.30am.	Final Match

Venue: Lakshmbai Collge, University of Delhi

Tournament Committee:-

Dr. Sunita Arora (9999968377)
Dr. Manmohan Kaur
Dr. Mukesh Saggar
Dr. Charanjeet Kaur

Convenor

Lakshmbai College
Jesus & Mary College
Janki Devi Memorial College
Mata Sundri College

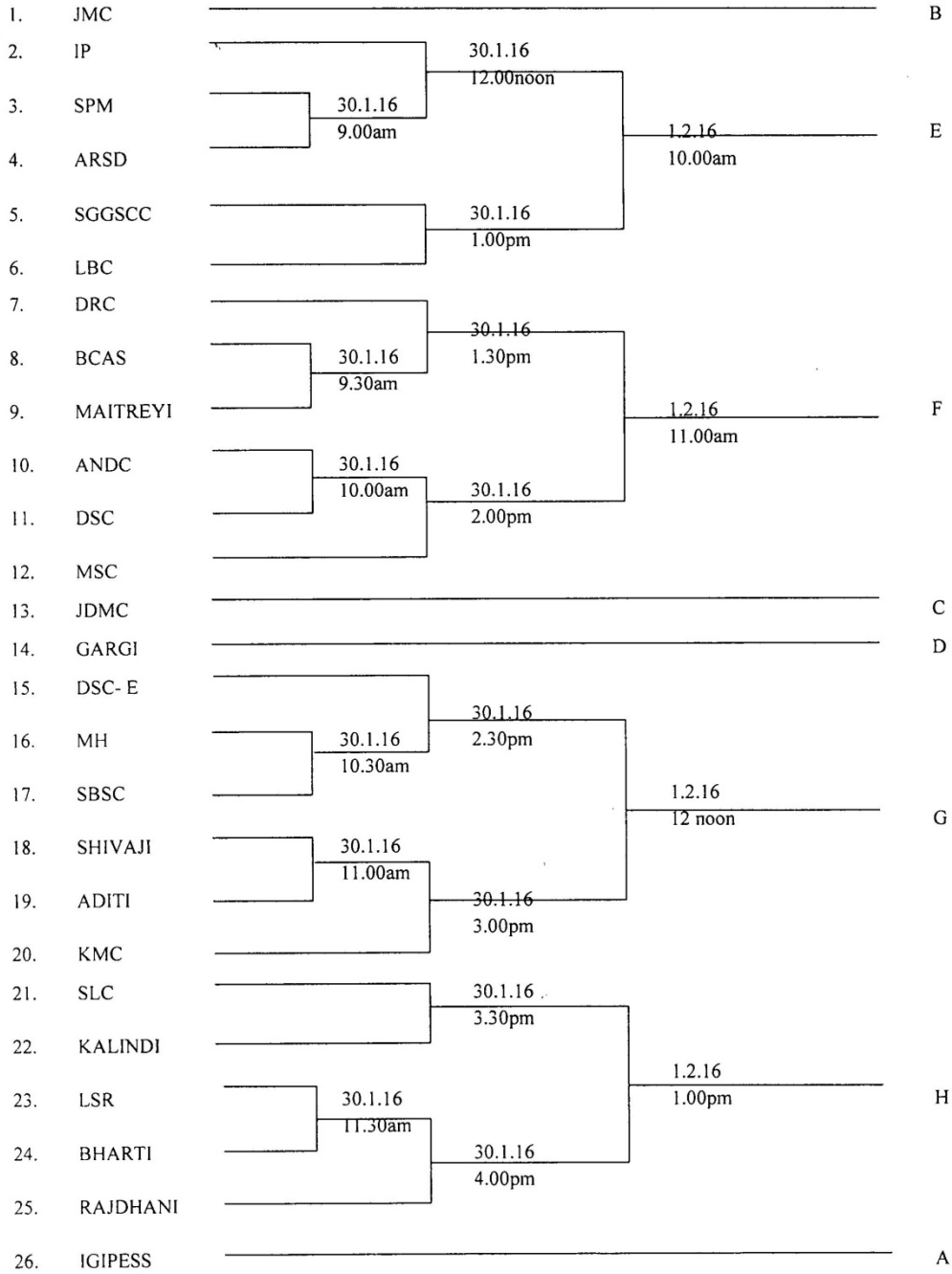


Dr. Anil Kumar Kalkal
Director, Physical Education

¹³³
REVISED

DUSC / IC (W) /2015-16/677
Dated: 30.12.15

Fixture Inter College Volleyball (W) Tournament 2015-16



PTO

League Matches

Group-I

Timing	<u>2.2.16</u>	<u>3.2.16</u>	<u>4.2.16</u>
9.00am	B V/s E	B V/s F	E V/s F
10.30am	C V/s F	C V/s E	B V/s C

Group-II

12.00noon	A V/s H	A V/s G	G V/s H
1.30pm	D V/s G	D V/s H	A V/s D

5.2.16

10.00am	Winner of Group-I	V/s	Runners up of Group-II
11.30am	Winner of Group-II	V/s	Runners up of Group-I

6.2.16

10.00am	Third Place Match
11.30am.	Final Match

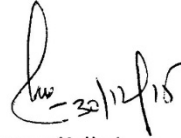
Venue: Lakshmibai Collge, University of Delhi

Tournament Committee:-

Dr. Sunita Arora (9999968377)
Dr. Manmohan Kaur
Dr. Mukesh Saggar
Dr. Charanjeet Kaur

Convenor

Lakshmibai College
Jesus & Mary College
Janki Devi Memorial College
Mata Sundri College



Dr. Anil Kumar Kalkal
Director, Physical Education